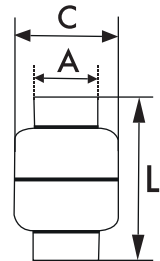


Straight-way type, lightweight series, stainless steel.

Stainless steel check valve with full bore and very low opening pressure, no maintenance required.
 Applications: Compressed air, water, neutral gases, gaseous and liquid non-corrosive media, oils.

Housing:	Stainless steel 1.4301
Spring:	Stainless steel 1.4301
Sealant:	FKM
Opening pressure:	min. 0,03 bar
Operating pressure:	max. 16 bar
Operating temperature:	-20 °C to +150 °C



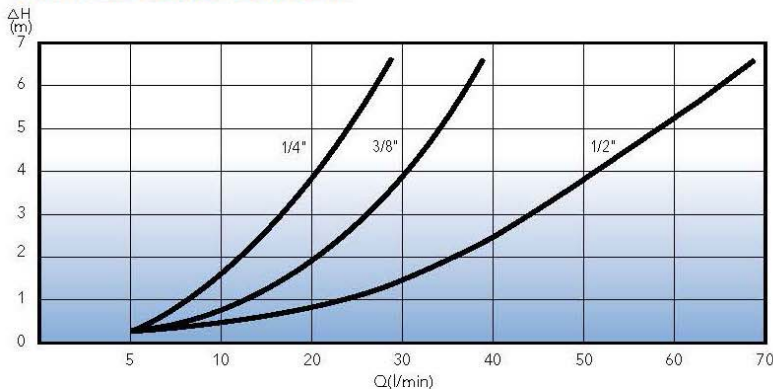
Check valves, stainless steel, lightweight series, PN 16

Art. No.	Ident No.	Thread	A	L	C	Weight
			mm	mm	mm	gr
228.14-ES	103849	G 1/4	20.0	55.9	32.0	94.0
228.38-ES	103850	G 3/8	20.0	56.0	32.0	91.0
228.12-ES	103851	G 1/2	25.0	55.6	32.0	93.0

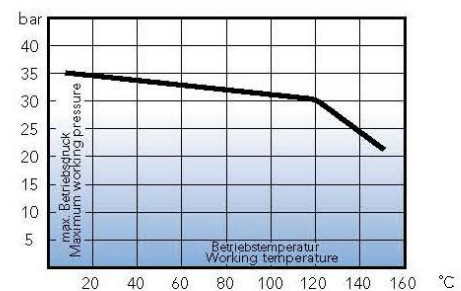


228.14-ES

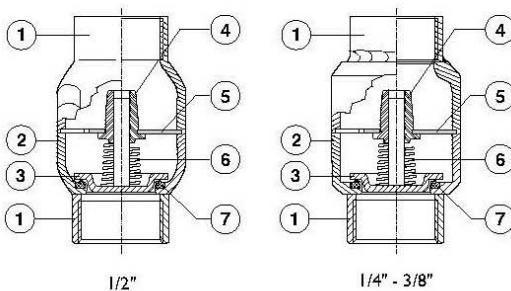
Druckverlustkennlinien FRICTION LOSSES DIAGRAM



Druck- Temperatur Diagramm PRESSURE-TEMPERATURE DIAGRAM



Werkstoffe und Bauteile CONSTRUCTION FEATURES



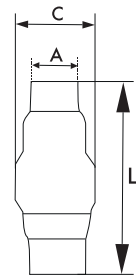
Bauteil Components	Version 1.4301 Version Aisi 304
1 Gewindemuffe • Threaded ends	1.4301 • 1.4304 EN 10088
2 Außengehäuse • Body valve	1.4301 • 1.4304 EN 10088
3 Ventilteller • Flow control disc	1.4301 • 1.4304 EN 10088
4 Führungsbuchse • Guide bush	PTFE
5 Ventilführung • Bush support	1.4301 • 1.4304 EN 10088
6 Feder • Spring	1.4301 • 1.4304 EN 10088
7 Dichtung • Seal ring	NBR • FPM

Check valves

Art. No. 228.14-ES to 228.30-ES

Check valves, stainless steel, lightweight series, PN 16

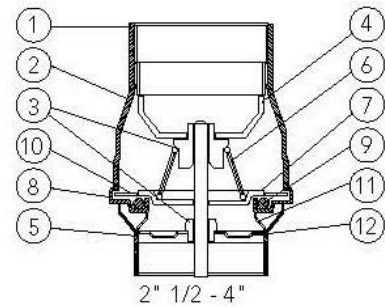
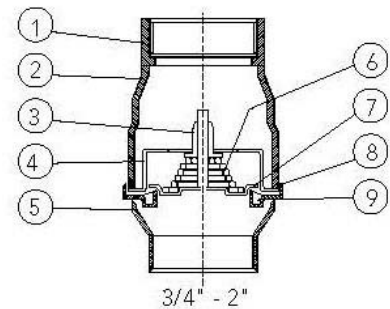
Art. No.	Ident No.	Thread	A mm	L mm	C mm	Weight gr
228.34-ES	103852	G 3/4	29.0	66.7	44.0	129.0
228.10-ES	103853	G 1	36.0	83.6	53.0	191.0
228.114-ES	103854	G 1 1/4	45.0	96.0	62.0	281.0
228.112-ES	103855	G 1 1/2	51.0	114.0	78.0	388.0
228.20-ES	103856	G 2	64.0	120.5	89.0	704.0
228.212-ES	103857	G 2 1/2	80.0	141.5	113.0	1425.0
228.30-ES	103858	G 3	94.0	160.0	132.0	2085.0



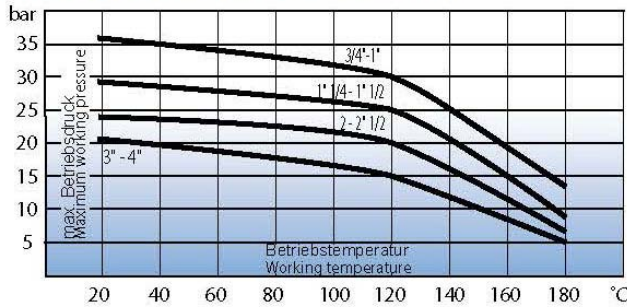
228.34-ES

Werkstoffe und Bauteile CONSTRUCTION FEATURES

Bauteil Components	Version 1.4301 Version Aisi 304
1 Gewindemuffe • Outlet end	1.4301 • 1.4304 EN 10088
2 Außengehäuse • valve body	1.4301 • 1.4304 EN 10088
4 Führungslager • Guide bush	PTFE
4 Ventilführung • Flow control disk guide	1.4301 • 1.4304 EN 10088
5 Gewindemuffe Zulauf • Inlet end	1.4301 • 1.4304 EN 10088
6 Feder • Spring	1.4301 • 1.4304 EN 10088
7 Ventilteller • Flow control disk	1.4301 • 1.4304 EN 10088
8 Dichtungssitz • Seal ring housing	1.4301 • 1.4304 EN 10088
9 Dichtung • Seal ring	EPDM, NBR, FPM, PTFE
10 Haltering • Seal ring retainer	1.4301 • 1.4304 EN 10088
11 Stützring • Seal ring support	1.4301 • 1.4304 EN 10088
12 Zusatzführung • Outlet side guide	1.4301 • 1.4304 EN 10088



Druck - Temperatur Diagramm
PRESSURE-TEMPERATURE DIAGRAM



Druckverlustkennlinien
FRICTION LOSSES DIAGRAMS

